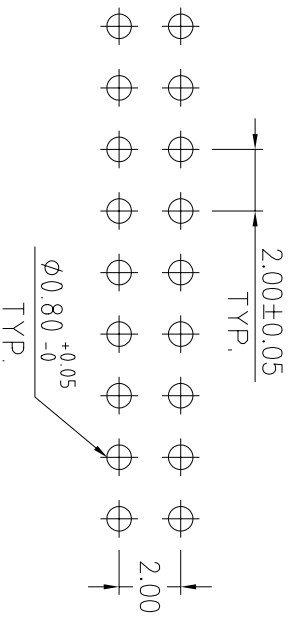


A=2.00*(No. of Pin/2-1)
B=2.00*(No. of Pin/2)+0.6



RECOMMENDED PCB LAYOUT

FEATURES
Available in 04-40 circuits

MATERIAL
Contact material: Brass
Insulator Material: Polyester, UL 94 V-0

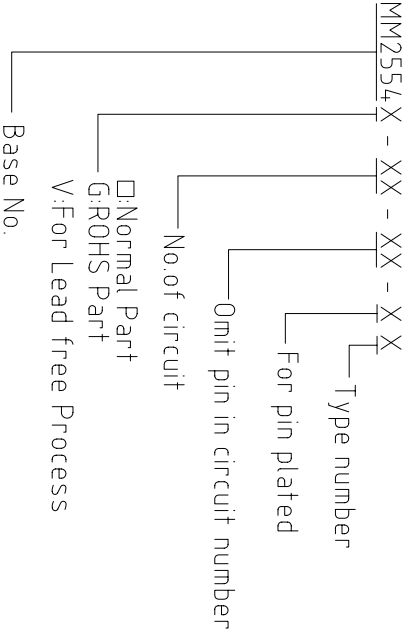
FINISH

Contact: Tin / Gold Plated options available

SPECIFICATIONS

Current Rating: 1AMPS
Insulation resistance:1000 MΩ min.
Dielectric withstanding Voltage: 500 VAC/DC
Operating Temperature: -45°C to +105°C
Contact resistance:20m Ω max.

HOW TO ORDER



LONG CHU ELECTRONICS CO. LTD
LCU 龍竹企業股份有限公司

DESCRIPTION:

2.0mm Dual Row Female Header

		MATERIAL		UNIT		DESCRIPTION:	SIZE	P/N
		SEE NOTE		mm		2.0mm Dual Row Female Header	A4	MM2554 SERIES
		DR. NORETA		RE.		GENERAL TOLERANCE	0.1° ±5°	
		CHK.		APP.		0.0 ±.30	0.0° ±1°	REV. A
						0.00 ±.20	SCALE	SHEET NO.
REV.		DESCRIPTION	DATE					